

**Operator with Integral Contact Block**

(see Tables 18-20)



**Paddle cover or Rocker**  
(see Tables 21 & 22)



**Complete Unit**



- 0.110 in x 0.020 in quick connect or solder terminals

**Table 18. Unlighted (2 Pos) AML23 Series Paddle and AML24 Series Rocker Switches Catalog Listings**

| No. of Poles | Contact Material | Circuits Left Position | Circuits Right Position | Paddle Switch Cat. Listings | Rocker Switch Cat. Listings |
|--------------|------------------|------------------------|-------------------------|-----------------------------|-----------------------------|
| 1PDT         | Silver           | 1-2                    | 2-3                     | AML23EBA2AA01               | AML24EBA2AA01               |
|              | Gold             | 1-2                    | 2-3                     | -                           | AML24EBA2BA01               |
|              | Silver           | 1-2 Mom.               | 2-3                     | -                           | AML24EBA2AA02               |
|              | Gold             | 1-2 Mom.               | 2-3                     | -                           | AML24EBA2BA02               |
|              | Silver           | 1-2                    | 2-3 Mom.                | AML23EBA2AA03               | AML24EBA2AA03               |
|              | Gold             | 1-2                    | 2-3 Mom.                | -                           | AML24EBA2BA03               |
| 2PDT         | Silver           | 1-2, 4-5               | 2-3, 5-6                | AML23EBA2AC01               | AML24EBA2AC01               |
|              | Gold             | 1-2, 4-5               | 2-3, 5-6                | AML23EBA2BC01               | AML24EBA2BC01               |
|              | Silver           | 1-2, 4-5 Mom.          | 2-3, 5-6                | -                           | AML24EBA2AC02               |
|              | Silver           | 1-2, 4-5               | 2-3, 5-6 Mom.           | -                           | AML24EBA2AC03               |
|              | Silver           | 1-2, 4-5               | 2-3, 5-6                | AML23EBA2CA01*              | AML24EBA2CA01*              |
|              | Silver           | 1-2, 4-5 Mom.          | 2-3, 5-6                | AML23EBA2CA02*              | -                           |
| 4PDT         | Silver           | 1-2, 4-5, 7-8, 10-11   | 2-3, 5-6, 8-9, 11-12    | -                           | AML24EBA2CC01               |
|              | Gold             | 1-2, 4-5, 7-8, 10-11   | 2-3, 5-6, 8-9, 11-12    | -                           | AML24EBA2DC01               |

① MICRO SWITCH identification on this side of switch housing

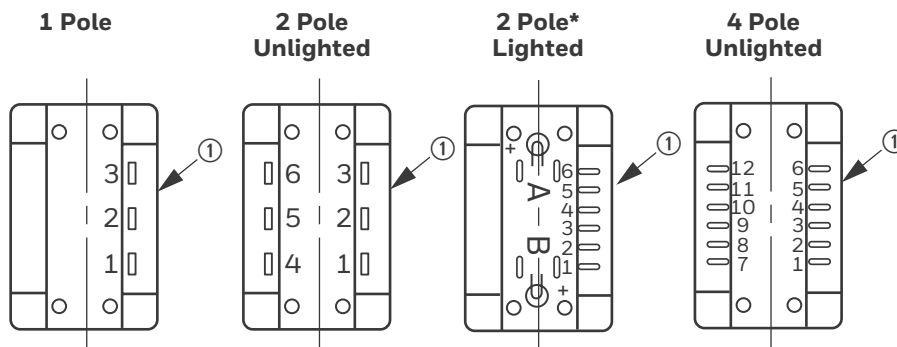
Note: All switch positions are maintained except where noted as Mom. (momentary)

Note: AML23 Series Paddle switches require AML53-E Series Cover (2 required) or AML53-T Series Cover from table 21

Note: AML24 Series Rocker switches require AML54-F Series Rocker Button (full rocker button) or AML54-T Series Button (2 piece button) from table 22.

\*These two-pole unlighted switches have the six (6) switch terminals inline on rear of housing

**Switch Terminal Location**



**Table 19. Unlighted (3 Pos) AML23 Series Paddle and AML24 Series Rocker Switches Catalog Listings**

| No. of Poles | Contact Material | Circuits Left Position    | Circuits Center Position | Circuits Right Position   | Paddle Switch Cat. Listings | Rocker Switch Cat. Listings |
|--------------|------------------|---------------------------|--------------------------|---------------------------|-----------------------------|-----------------------------|
| 1PDT         | Silver           | 1-2                       | OFF                      | 2-3                       | AML23EBA2AA04               | AML24EBA2AA04               |
|              | Gold             | 1-2                       | OFF                      | 2-3                       | -                           | AML24EBA2BA04               |
|              | Silver           | 1-2 Mom.                  | OFF                      | 2-3 Mom.                  | AML23EBA2AA05               | AML24EBA2AA05               |
|              | Gold             | 1-2 Mom.                  | OFF                      | 2-3 Mom.                  | -                           | AML24EBA2BA05               |
|              | Silver           | 1-2                       | OFF                      | 2-3 Mom.                  | -                           | AML24EBA2AA06               |
| 2PDT         | Silver           | 1-2, 4-5                  | OFF                      | 2-3, 5-6                  | AML23EBA2AC04               | AML24EBA2AC04               |
|              | Gold             | 1-2, 4-5                  | OFF                      | 2-3, 5-6                  | AML23EBA2BC04               | AML24EBA2BC04               |
|              | Silver           | 1-2, 4-5 Mom.             | OFF                      | 2-3, 5-6 Mom.             | -                           | AML24EBA2AC05               |
|              | Silver           | 1-2, 4-5                  | OFF                      | 2-3, 5-6 Mom.             | -                           | AML24EBA2AC06               |
|              | Gold             | 1-2, 4-5                  | OFF                      | 2-3, 5-6 Mom.             | AML23EBA2BC06               |                             |
|              | Silver           | 1-2, 4-5 Mom.             | OFF                      | 2-3, 5-6                  | -                           | AML24EBA2AC07               |
|              | Silver           | 1-2, 4-5                  | 2-3, 4-5                 | 2-3, 5-6                  | -                           | AML24EBA2CA04               |
|              | Gold             | 1-2, 4-5                  | 2-3, 4-5                 | 2-3, 5-6                  | -                           | AML24EBA2DA04               |
|              | Silver           | 1-2, 4-5 Mom.             | 2-3, 4-5                 | 2-3, 5-6 Mom.             | AML23EBA2CA05*              | AML24EBA2CA05*              |
|              | Silver           | 1-2, 4-5                  | 2-3, 4-5                 | 2-3, 5-6 Mom.             | -                           | AML24EBA2CA06*              |
| 4PDT         | Silver           | 1-2, 4-5, 7-8, 10-11      | 2-3, 4, 5, 8-9, 10-11    | 2-3, 5-6, 8-9, 11-12      | -                           | AML24EBA2CC04               |
|              | Gold             | 1-2, 4-5, 7-8, 10-11      | 2-3, 4, 5, 8-9, 10-11    | 2-3, 5-6, 8-9, 11-12      | -                           | AML24EBA2DC04               |
|              | Silver           | 1-2, 4-5, 7-8, 10-11 Mom. | 2-3, 4, 5, 8-9, 10-11    | 2-3, 5-6, 8-9, 11-12 Mom. | -                           | AML24EBA2CC05               |

① MICRO SWITCH identification on this side of switch housing

Note: All switch positions are maintained except where noted as Mom. (momentary)

\*These two pole switches have the six switch terminals in line on rear of housing

**Table 20. Power-duty Unlighted (2 Position) AML33 Series Paddle and AML34 Series Rocker Switches<sup>1</sup> (Maintained)**

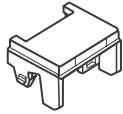
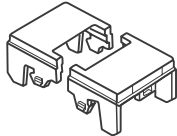
| No. of Poles               | Contact Material | Circuits Left Position | Circuits Right Position | Paddle Switch Cat. Listings | Rocker Switch Cat. Listings |
|----------------------------|------------------|------------------------|-------------------------|-----------------------------|-----------------------------|
| 1PST normally open(Form A) | Silver           | 11-12                  | OFF                     | AML33EBA4AA01               | AML34EBA4AA01               |
| 2PST normally open(Form A) | Silver           | 11-12, 21-22           | OFF                     | AML33EBA4AC01               | AML34EBA4AC01               |

Note: AML33 Series Paddle switches require AML53-E Series Cover (2 required) or AML53-T Series Cover from table 21

Note: AML34 Series Rocker switches require AML54-F Series Button (full rocker button) or AML54-T Series Button (2 piece rocker button) from table 22

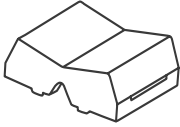

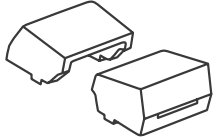
<sup>1</sup> All "power-duty" pushbutton, paddle, and rocker switches (AML30 Series) have 0.187 in x 0.020 in termination

**Table 21. AML53 Series Paddle Switch Covers without Legends for AML23 & AML33 Series Paddle Switches\*\***

| Cover Color | AML53-E Series (1/2 Cover) (Two Required)   | AML53-T Series (Two-Piece Cover)  |
|-------------|---|---|
|             |  |  |
| Red         | AML53-E10R  | AML53-T10RR   |
| Yellow      | AML53-E10Y  | AML53-T10YY   |
| Green       | AML53-E10G  | AML53-T10GG   |
| Blue        | AML53-E10B  | -   |
| White       | AML53-E10W  | AML53-T10WW   |
| Black       | AML53-E10K  | AML53-T10KK   |
| Red/Green   | -   | AML53-T10RG   |
| Green/Red   | -   | AML53-T10GR   |

\*\*For AML53 Series Paddle Switch Covers Style E or T from table above with Legends contact the local Honeywell source

**Table 22. AML54 Series Rocker Switch Buttons without Legends for AML24 & AML34 Series Rocker Switches\*\*\***

| Cover Color  | AML54-F Series (Full Rocker Button)   | AML54-E Series (1/2 Rocker Button, 2 Required)                                     | AML54-T Series (Two-Piece Button)   |
|--------------|---|--|---|
|              |  |  |  |
| Red          | AML54-F10R  | AML54-E10R   | AML54-T10RR   |
| Yellow       | AML54-F10Y  | -  | -   |
| Green        | AML54-F10G  | AML54-E10G   | AML54-T10GG   |
| Blue         | AML54-F10B  | -  | AML54-T10BB   |
| White        | AML54-F10W  | AML54-E10W   | -   |
| Amber        | AML54-F10A  | -  | -   |
| Black        | AML54-F10K  | AML54-E10K   | AML54-T10KK   |
| Gray         | AML54-F10L  | -  | AML54-T10LL   |
| Red/Yellow   | -   | -  | AML54-T10RY   |
| Red/Green    | -   | -  | AML54-T10RG   |
| Green/Red    | -   | -  | AML54-T10GR   |
| Green/Yellow | -   | -  | AML54-T10GY   |
| Blue/White   | -   | -  | AML54-T10BW   |

\*\*\*For AML54 Series Rocker Switch Operator Style E, F, or T from table above with Legends contact the local Honeywell source

Figure 15. AML23 and AML24 Series Dimensions, mm [in] or mm/in

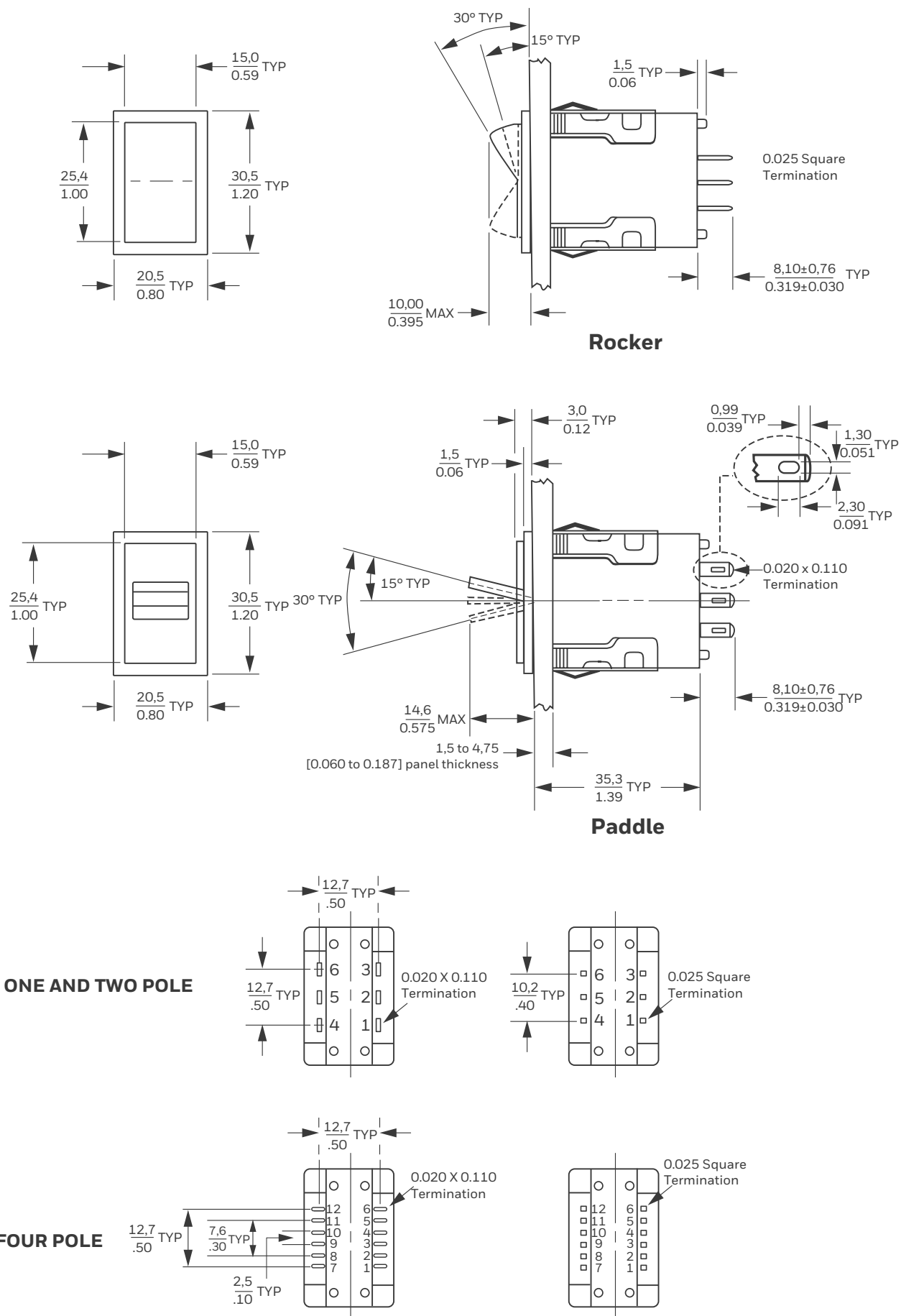
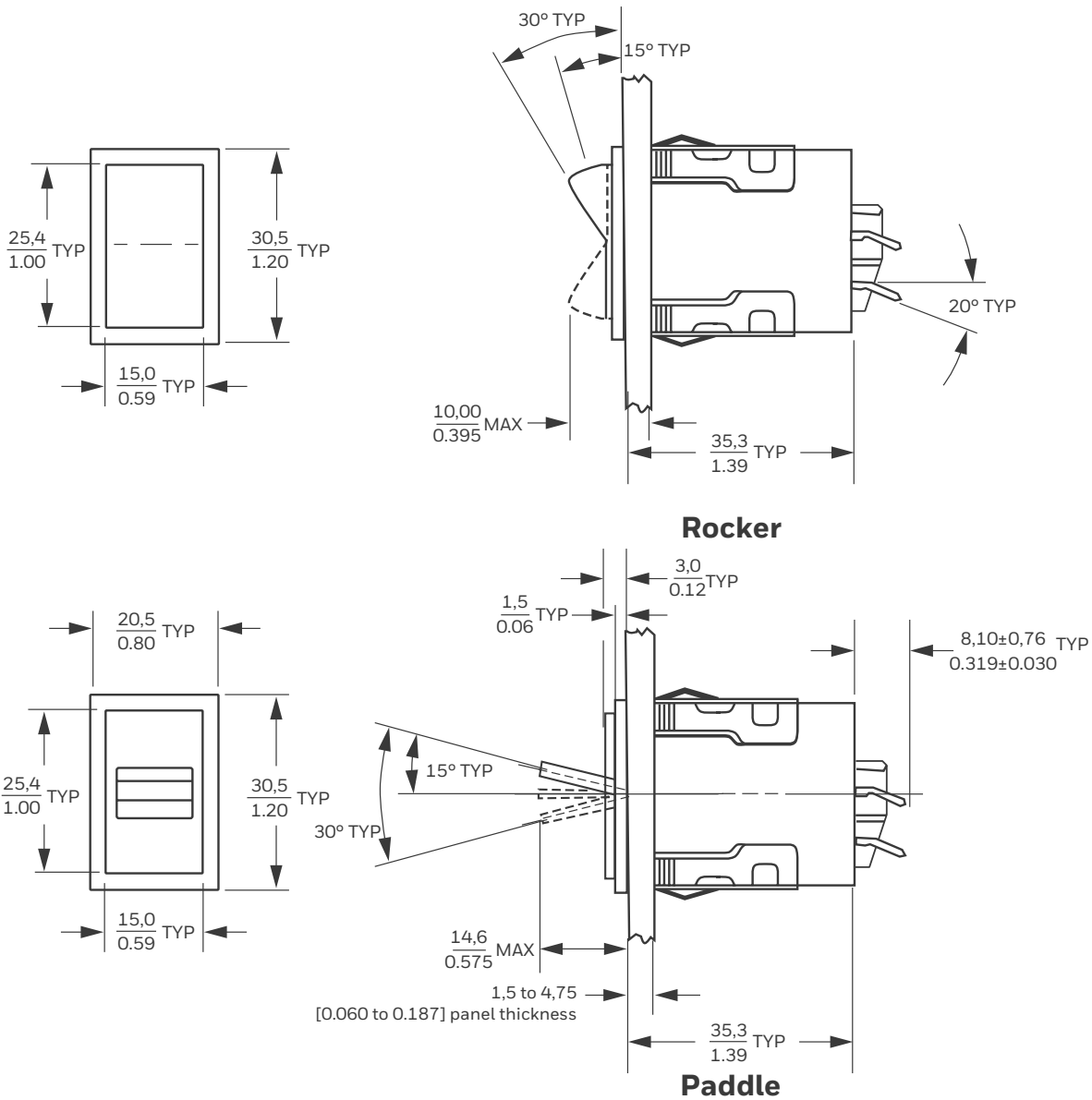


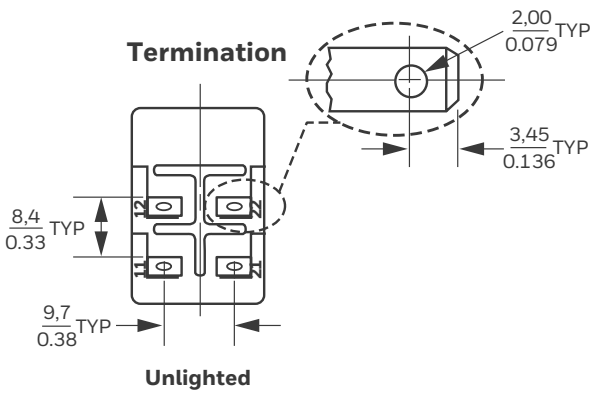
Figure 16. AML33 and AML34 Series Dimensions, mm[in] or mm/in



**Rocker**

**Paddle**

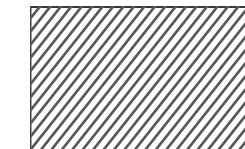
**Panel Cutouts for AML20 and AML30 Series Paddles and Rockers**



**Termination**

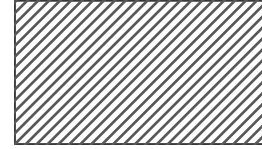
**Unlighted**

**WITHOUT BARRIERS**



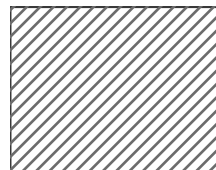
28,98 [1.141] x 19,05 [0.750]

**WITH SHORT BARRIERS<sup>1</sup>**



33,27 [1.310] x 19,05 [0.750]

**WITH LONG BARRIERS<sup>1</sup>**



28,98 [1.141] x 23,25 [0.915]

<sup>1</sup> Table 47 describes barrier options. Barriers are designed to prevent inadvertent actuation of adjacent-mounted switches.

**AML23E**

**B**

Housing Type: Paddle

Bezel Color

**AML23E** Unlighted

**A**

Incandescent Lamp Type

No lamp circuit

**2**

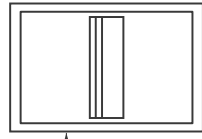
Terminal Type

**2** 2.8 mm x 0.5 mm [0.110 in x 0.020 in] quick-connect or solder

NOTE: Not all combinations of model codes are available. Please contact your Honeywell provider/representative for assistance.

<sup>2</sup>Reference Table 18 or 19.

**3** 0.64 mm x 0.64 mm [0.025 in x 0.025 in] push-on or printed circuit



① The "MICRO SWITCH" identification is shown on this side of the switch housings

**A**

**AA**

Number of Poles and Contact Material

|           |                 |           |                                     |
|-----------|-----------------|-----------|-------------------------------------|
| <b>AA</b> | SILVER CONTACTS | <b>BA</b> | One SPDT                            |
| <b>AC</b> | GOLD CONTACTS   | <b>BC</b> | Two SPDT (unlighted switches only)  |
| <b>CA</b> |                 | <b>DA</b> | Two SPDT                            |
| <b>CC</b> |                 | <b>DC</b> | Four SPDT (unlighted switches only) |

**01**

Operator Positions and Action<sup>2</sup>

|           |   |
|-----------|---|
| <b>01</b> | Left: maintained<br>Right: maintained                       |
| <b>02</b> | Left: momentary<br>Right: maintained                        |
| <b>03</b> | Left: maintained<br>Right: momentary                        |
| <b>04</b> | Left: maintained<br>Center: maintained<br>Right: maintained |
| <b>05</b> | Left: momentary<br>Center: maintained<br>Right: momentary   |
| <b>06</b> | Left: maintained<br>Center: maintained<br>Right: momentary  |
| <b>07</b> | Left: momentary<br>Center: maintained<br>Right: maintained  |

Figure 17. AML23 Series Unlighted Paddle Switches Nomenclature

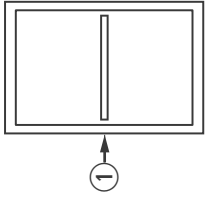
Figure 18. AML24 Unlighted Rocker Switches Series Nomenclature

|                         |                          |                |   |  |   |
|-------------------------|--------------------------|----------------|---|--|---|
| <b>AML24E</b>           | <b>A</b>                 | <b>B</b>       | <b>2</b>  | <b>AA</b>  | <b>01</b>   |
| Housing Type: Rocker    | Incandescent Lamp Type   | Bezel Color    | Terminal Type   | Number of Poles and Contact Material                             | Operator Positions and Action <sup>2</sup>                            |
| <b>AML24E</b> Unlighted | <b>A</b> No lamp circuit | <b>B</b> Black | <b>2</b> 2.8 mm x 0.5 mm [0.110 in x 0.020 in] quick-connect or solder      | <b>AA</b> SILVER CONTACTS<br><b>BA</b> GOLD CONTACTS<br>One SPDT | <b>01</b> Left: maintained<br>Right: maintained                       |
|                         |                          |                | <b>3</b> 0.64 mm x 0.64 mm [0.025 in x 0.025 in] push-on or printed circuit | <b>AC</b> Two SPDT (unlighted switches only)                     | <b>02</b> Left: momentary<br>Right: maintained                        |
|                         |                          |                |   | <b>CA</b> Two SPDT   | <b>03</b> Left: maintained<br>Right: momentary                        |
|                         |                          |                |   | <b>CC</b> Four SPDT (unlighted switches only)                    | <b>04</b> Left: maintained<br>Center: maintained<br>Right: maintained |
|                         |                          |                |   |  | <b>05</b> Left: momentary<br>Center: maintained<br>Right: momentary   |
|                         |                          |                |   |  | <b>06</b> Left: maintained<br>Center: maintained<br>Right: momentary  |
|                         |                          |                |   |  | <b>07</b> Left: momentary<br>Center: maintained<br>Right: maintained  |

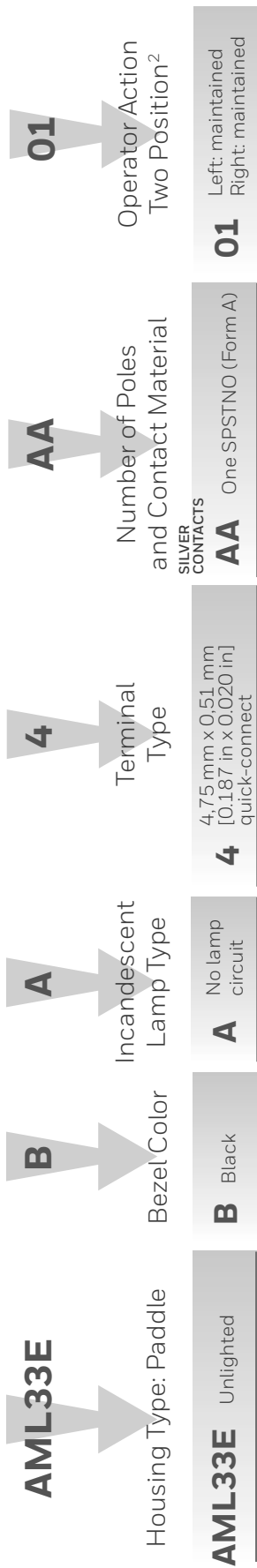
NOTE: Not all combinations of model codes are available. Please contact your Honeywell provider/representative for assistance.

<sup>2</sup>Reference Table 18 or 19.



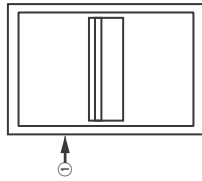
① The "MICRO SWITCH" identification is shown on this side of the switch housings

Figure 19. AML33 Unlighted Paddle Switch Series Nomenclature



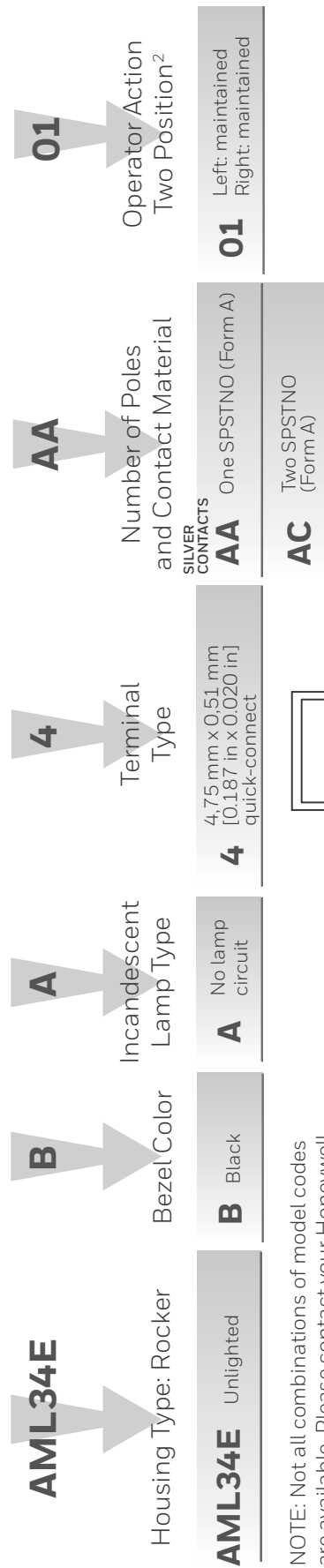
NOTE: Not all combinations of model codes are available. Please contact your Honeywell provider/representative for assistance.

<sup>2</sup>Reference Table 20.



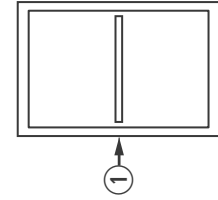
① The "MICRO SWITCH" identification is shown on this side of the switch housings

Figure 20. AML34 Series Nomenclature



NOTE: Not all combinations of model codes are available. Please contact your Honeywell provider/representative for assistance.

<sup>2</sup>Reference Table 20.



① The "MICRO SWITCH" identification is shown on this side of the switch housings



**Figure 21. AML53 Covers for AML23 and AML33 Series Paddle Switches Nomenclature**  
For incandescent lighted and unlighted paddle switches

|                    |                                     |              |                                      |                                   |
|--------------------|-------------------------------------|--------------|--------------------------------------|-----------------------------------|
| <b>AML53-E</b>     |                                     | <b>10</b>    | <b>W</b>                             |                                   |
| <b>AML53-T</b>     |                                     | <b>11</b>    | <b>R</b>                             | <b>G</b>                          |
| Paddle-Style Cover |                                     | Display Type | 1/2 cover or 1-side of 2-piece cover | Req'd if ordering two-piece cover |
| <b>AML53-E</b>     | 1/2 cover (two required per switch) | <b>10</b>    | <b>R</b>                             | <b>R</b>                          |
| <b>AML53-T</b>     | Two-piece cover                     | <b>11</b>    | <b>Y</b>                             | <b>Y</b>                          |
|                    |                                     | <b>30</b>    | <b>G</b>                             | <b>G</b>                          |
|                    |                                     | <b>50</b>    | <b>B</b>                             | <b>B</b>                          |
|                    |                                     |              | <b>W</b>                             | <b>W</b>                          |
|                    |                                     |              | <b>K</b>                             | <b>K</b>                          |
|                    |                                     |              | <b>L</b>                             | <b>L</b>                          |
|                    |                                     |              | <b>A</b>                             | <b>A</b>                          |

NOTE: Not all combinations of model codes are available. Please contact your Honeywell provider/representative for assistance  
\*Insert is clear when display type (50) is specified with white (W) color  
\*\*Available with display type "transmitted color" and "dead front" only

**Figure 22. AML54 Buttons for AML24 and AML34 Series Rocker Switches Nomenclature**  
For incandescent lighted and unlighted paddle switches

|                     |                                      |              |   |                                    |
|---------------------|--------------------------------------|--------------|---|------------------------------------|
| <b>AML54-T</b>      |                                      | <b>11</b>    | <b>R</b>  | <b>G</b>                           |
| Rocker Style Button |                                      | Display Type | Full Rocker, 1/2 Rocker or 1-side of 2-piece Rocker | Req'd if ordering Two-Piece Rocker |
| <b>AML54-F</b>      | Full rocker                          | <b>10</b>    | <b>R</b>  | <b>R</b>                           |
| <b>AML54-E</b>      | 1/2 rocker (two required per switch) | <b>11</b>    | <b>Y</b>  | <b>Y</b>                           |
| <b>AML54-T</b>      | Two-piece rocker                     | <b>30</b>    | <b>G</b>  | <b>G</b>                           |
|                     |                                      | <b>50</b>    | <b>B</b>  | <b>B</b>                           |
|                     |                                      |              | <b>W</b>  | <b>W</b>                           |
|                     |                                      |              | <b>K</b>  | <b>K</b>                           |
|                     |                                      |              | <b>L</b>  | <b>L</b>                           |
|                     |                                      |              | <b>A</b>  | <b>A</b>                           |

NOTE: Not all combinations of model codes are available. Please contact your Honeywell provider/representative for assistance  
\*Insert is clear when display type (50) is specified with white (W) color  
\*\*Available with display type "transmitted color" and "dead front" only